

## Paperbagger

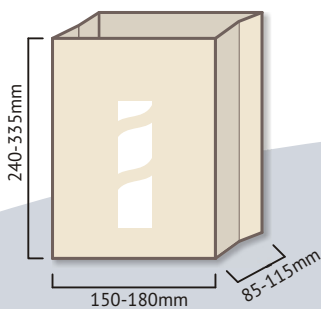
Paper bagging machine for small bakery products

Paperbagger is an automated system for small rolls or similar bakery products for packing in a vertical stand-up flat bottom paper bag. Products can be fed from the counting device directly into the packaging machine, and after the filling of the bag with products the bag is folded and sealed with the application of spot glue.

The result is an elegant and impressive packaging, which is particularly suitable for premium products. The basic version has a capacity of 17 bags per minute, the two-line double-model has a 30 bags per minute capacity. The bag magazine device is designed so that the packaging operation does not need to stop while bags are being added.



### Bag dimensioning for Paperbagger



- The best before date is printed on the folded mouth part of the bag (30 mm) with an inkjet printer.
- The machine is available as a single and double version. With the single line 17 bags per minute can be packed while the double line produces up to 30 bags per minute
- It is possible to fill the bag magazine during the packaging process without stopping the machine.
- Ipeka Paperbagger is normally equipped with a Counter2 counting unit for small round products or with a Counter5 counting unit for buns or bread rolls.